

The logo features the text 'E4RS II' in a stylized, metallic font. The word 'EVO' is written in a smaller, orange font above the 'RS'. The entire logo is set against a background of golden, feathered wings. The background of the entire page is dark with a repeating pattern of golden, ornate circular designs.

E4RS II *EVO*
E4 Racing Spec. the Second Generation

| Instruction & Setup Manual |

507002



Thank you for choosing the Team Magic E4RSII EVO. Before you start building the E4RSII EVO, we suggest you read through the instruction manual first. Be sure to check all assembly and performance tips before you start. We hope you enjoy the fine building processes.


General Building Tips:

- ▶ Read the instruction manual before building.
- ▶ Clear a work area and try to work on a light color towel to avoid missing dropped parts.
- ▶ Don't forge the thread lock. Be certain to use thread-lock on all the machine screws that thread into metal. Put it on the screws that are secured with locknuts and the setscrews that secure the linkage stops, too. Don't skimp on the thread-lock or you'll be searching in the dirt for screws that vibrated loose.
- ▶ Don't over-tighten fasteners. Many assembly problems are caused by over-tightening screws or nuts. Don't use too large a grip. Please go slowly and feel the resistance build. Just snug it up.
- ▶ As you put more time and runs on the car, the suspension arms, and basically anything else that moves, can stretch and wear. Though we have a very rigorous quality control program and make every effort to ensure that the parts have the best possible fit when you get them. Unfortunately there is very little, or nothing we can do to prevent these parts from wearing out. When the arms begin to wear you will notice that some slop develops between the carrier or hub and the arms. This slop can be taken out by shimming the arm, hub or carrier. If you take a look at any of the factory driver's cars you will definitely find that they use shims to take up some of the slop that occurs over a period of time. The shims can also be used on the inside of the suspension arms in the same manner. When shimming the parts, care must be taken not to add too many shims. The parts must still move freely without binding.
- ▶ When it doesn't fit, please double check. If an assembly is not going together correctly, then either there really is a bad fit (e.g. a part is damaged or defective) or a mistake in assembly. Always re-read the instructions when there are any problems. If you cannot figure out what's wrong, always ask dealer, distributor or Team Magic. Don't use force beyond what the instructions call for.
- ▶ Using the right tools makes assembly much easier. The instructions below finely indicate you what tools to get to make things easier. We don't want to scare you by saying that all these tools are required, but you will have an easier time if you have them. Borrow them from a friend to check if necessary.
- ▶ The assembly is arranged so that you will open the bag and finish that bag before you go on to the next bag. Sometimes, you will have parts remaining at the end of a bag. These will become part of the following bags.

A Good Dealer Is Extremely Important!!

A good hobby dealer can help you with most assembly problems you might encounter. This is the main reason why you should buy your kits from a good dealer rather than from the cheapest dealer. Bring your problematic parts to the dealer and, most likely, you'll walk away soon thereafter with the problem solved. If you think that you really don't have the mechanical skills to complete the assembly, you may pay your dealer to finish the job for you. We can recommend good dealers to you if you need. Please send us mails for more information. Email: service@teammagic.com.tw









116226
3.1X4.8X0.5mm
Washer






126306
3x6mm Steel FH
Screw



150510ST
5x10x4mm Steel
Bearing

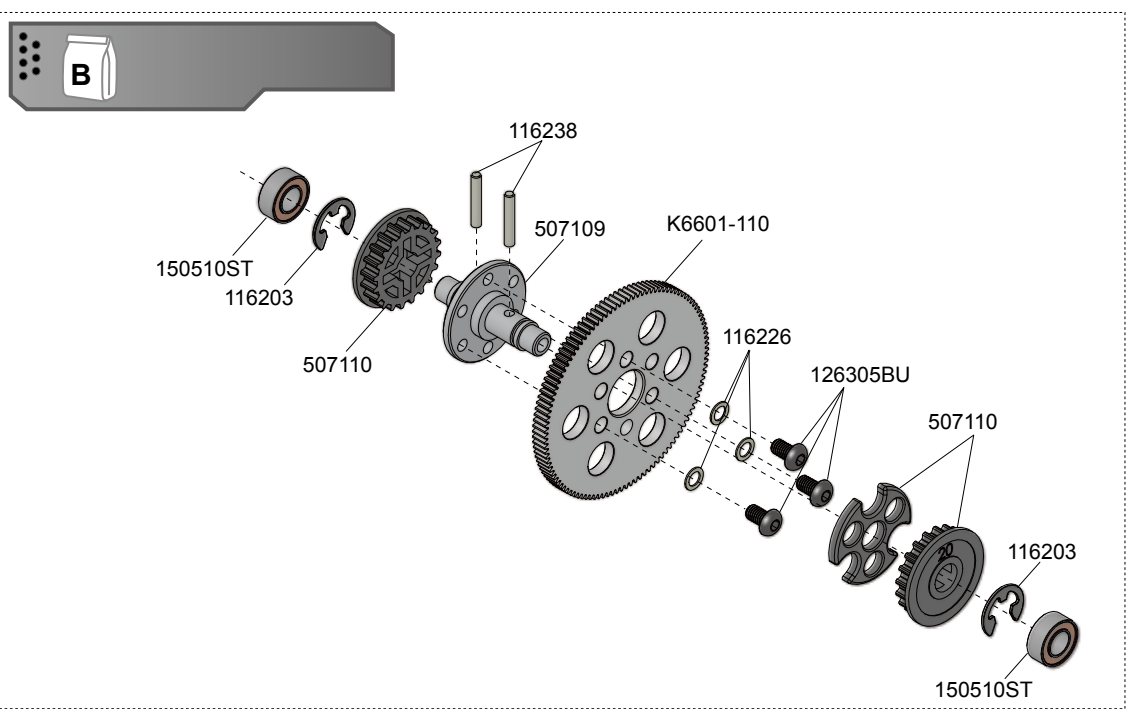
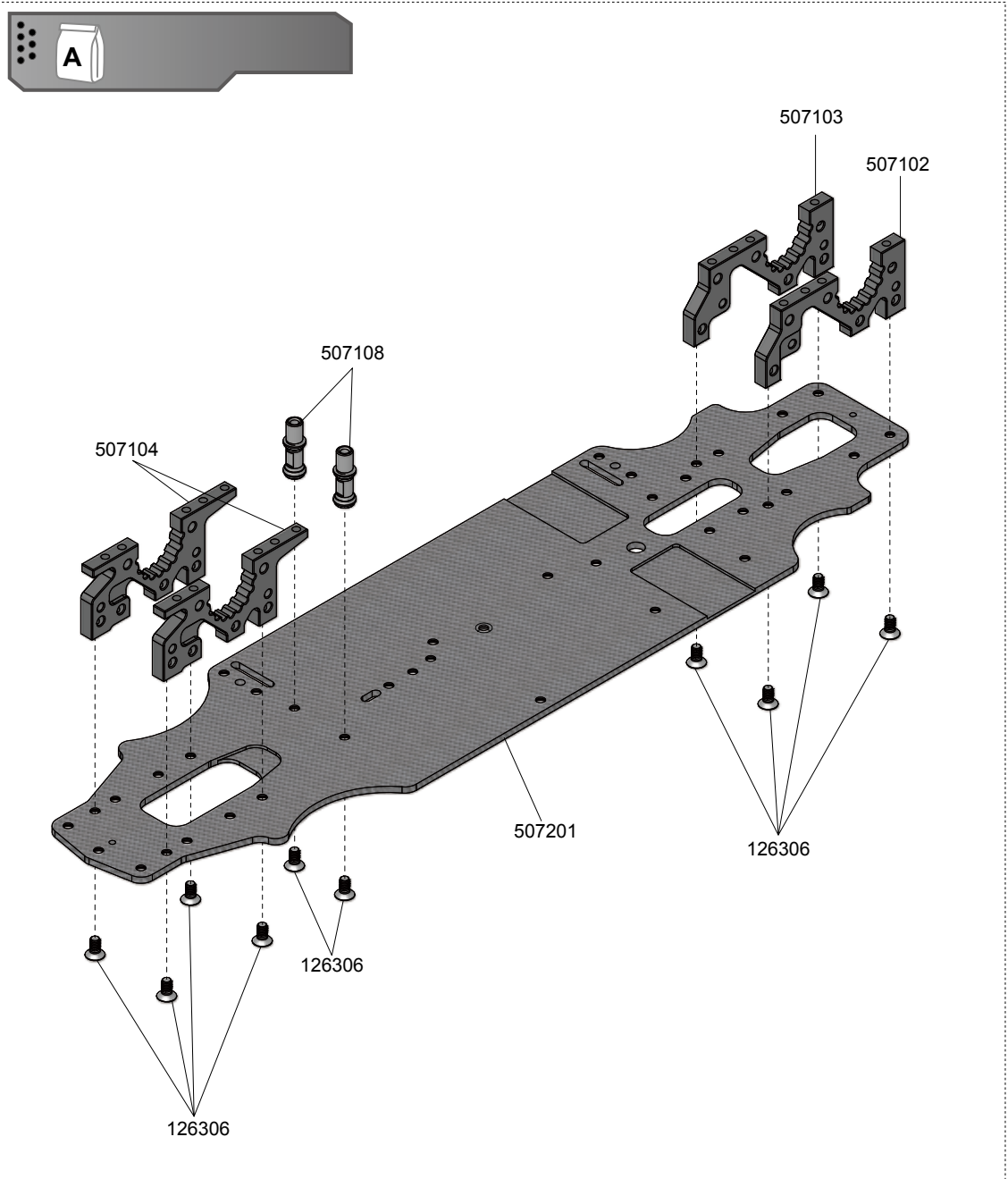
116203
E-clip 5

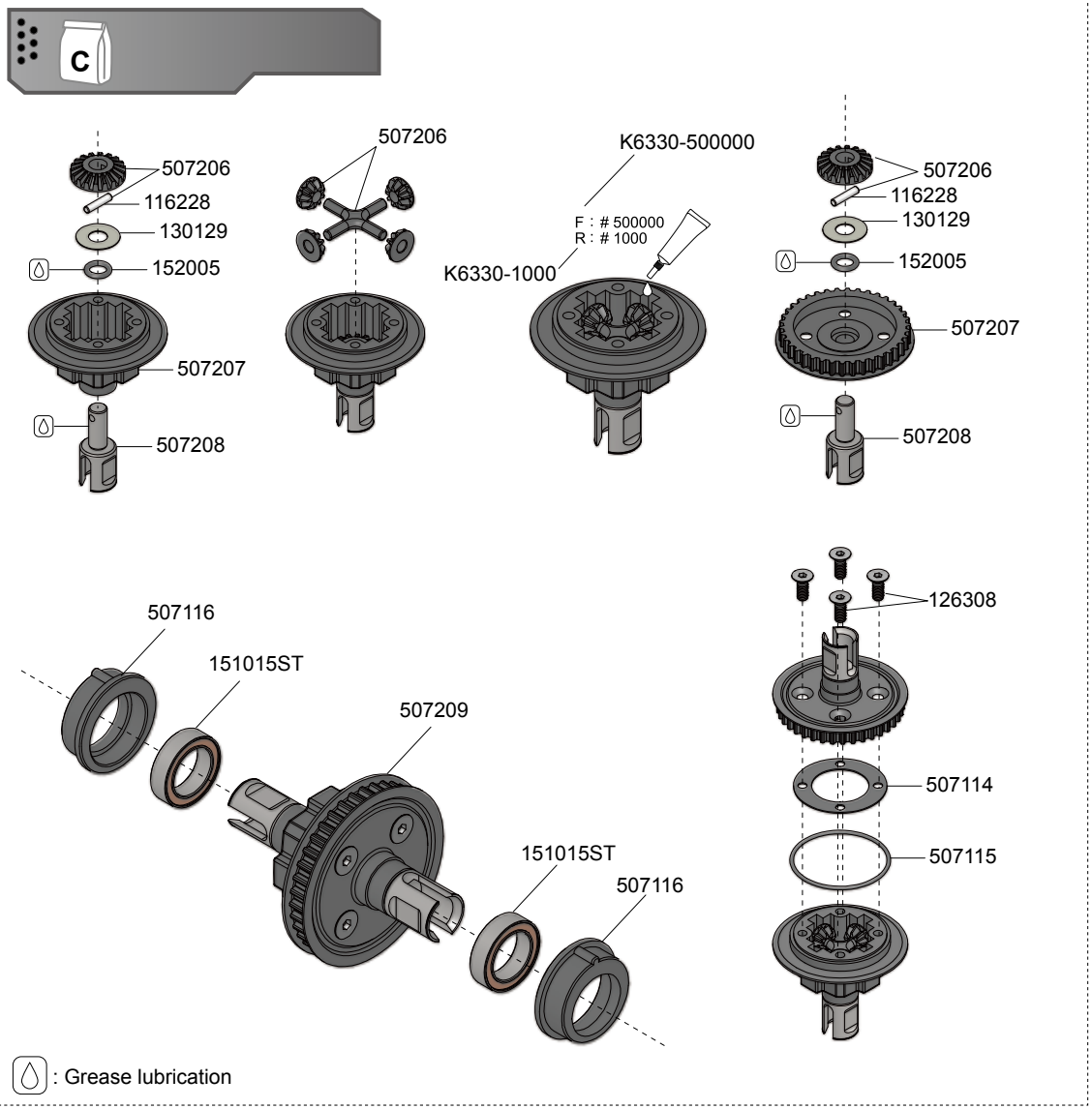



116238
2x12.8mm Pin

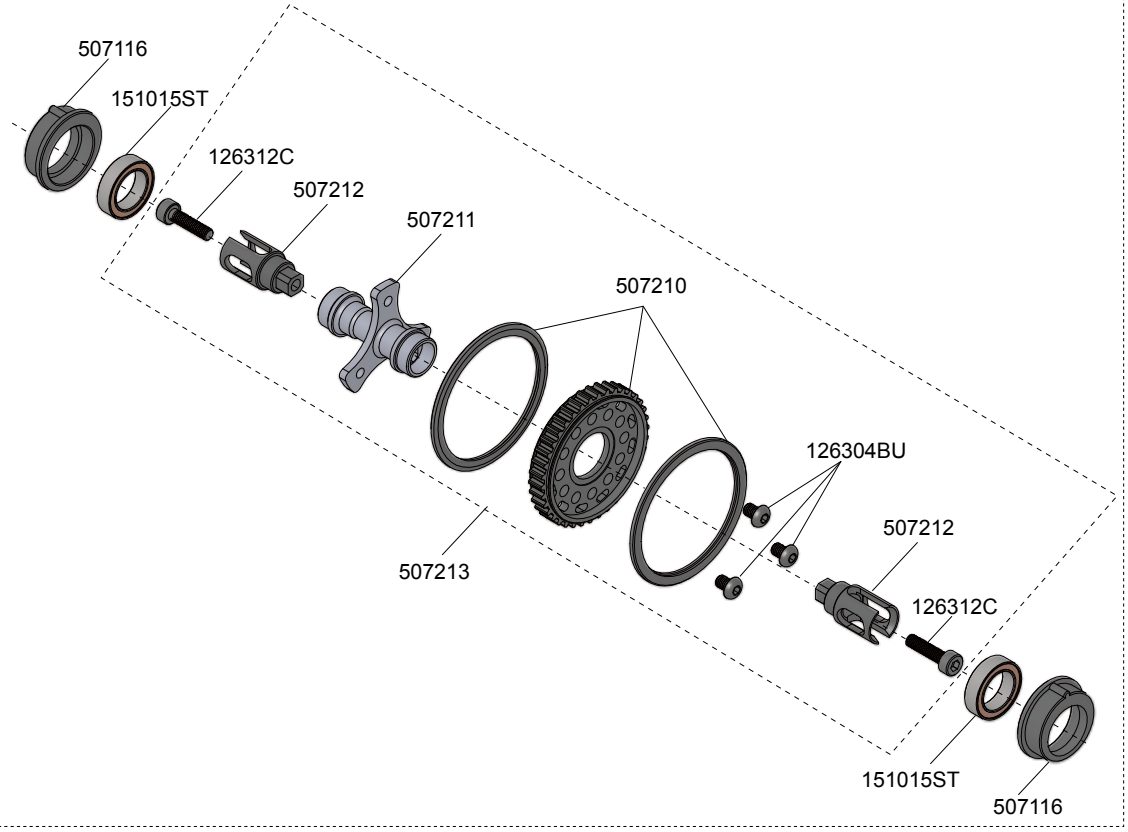



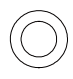
126305BU
M3X5mm BH Screw

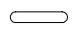


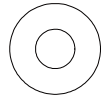


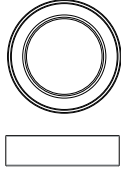
Front Pool Ver.




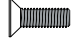
- 
152005
4.7x1.42 O-RING

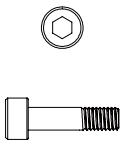
- 
116234
2x9.0mm Pin

- 
130129
5.2x12x0.2mm Shim

- 
151015ST
10x15x4mm Steel Bearing

- 
126304BU
M3X4mm BH Screw

- 
126308
3x8mm Steel Flat Head Screw

- 
126312C
3X12mm CAP Screw



126306
3x6mm Steel F.H.
Screw



126306BU
3x6mm Steel Button
Head Screw



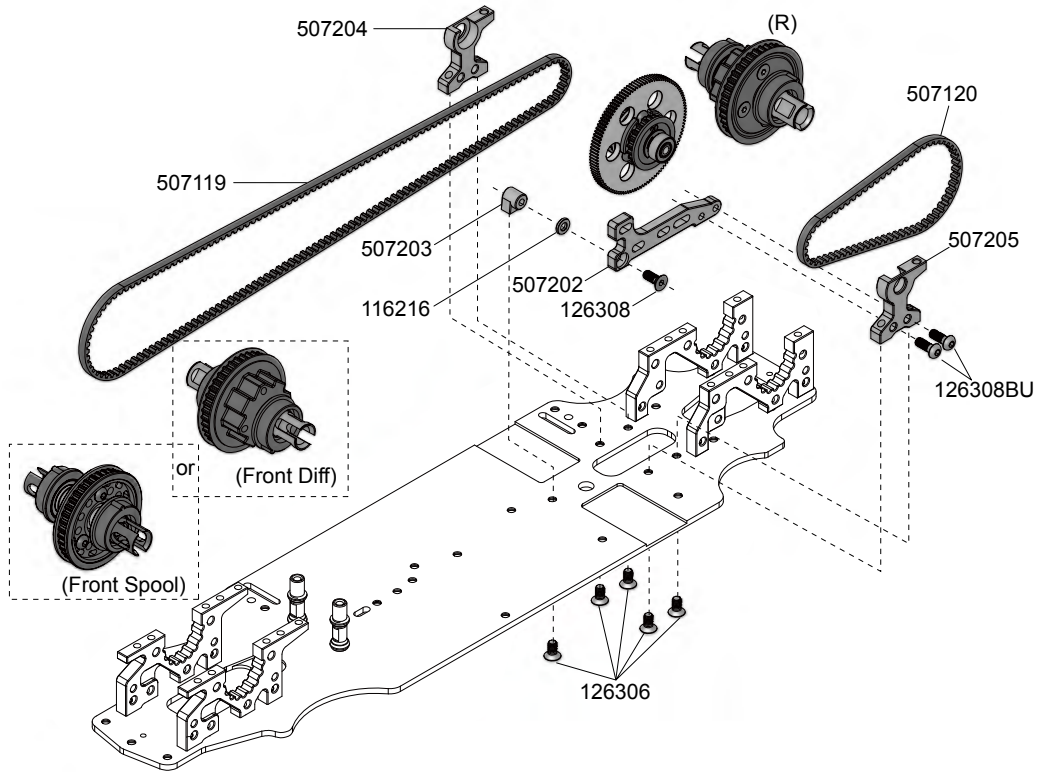
126308
3x8mm Steel F.H.
Screw



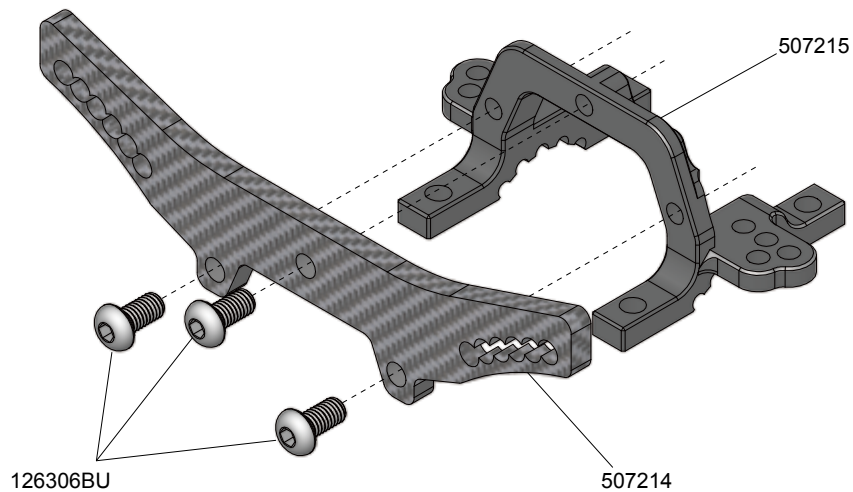
126308BU
3X8mm Button
Head Screw



116216
3X6X1mm Washer

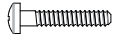


Front





126308BU
3x8mm Steel Button
Head Screw



126212BU
2X12mm BH Screw



126306BU
3x6mm Button
Head Screw



Rear

126212BU

507217

126308BU

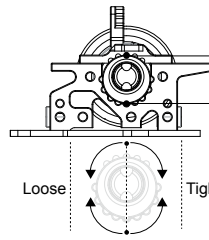
507216

126306BU

507215

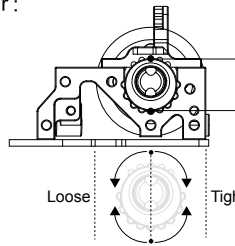


Front:



Lower Diff. Position
Higher Diff. Position

Rear :



Lower Diff. Position
Higher Diff. Position

126306BU

126306BU



150508ST
5x8x2.5mm Steel
Bearing



150306ST
3x6x2.5mm Steel
Bearing



503117
5x4mm Ball Stud



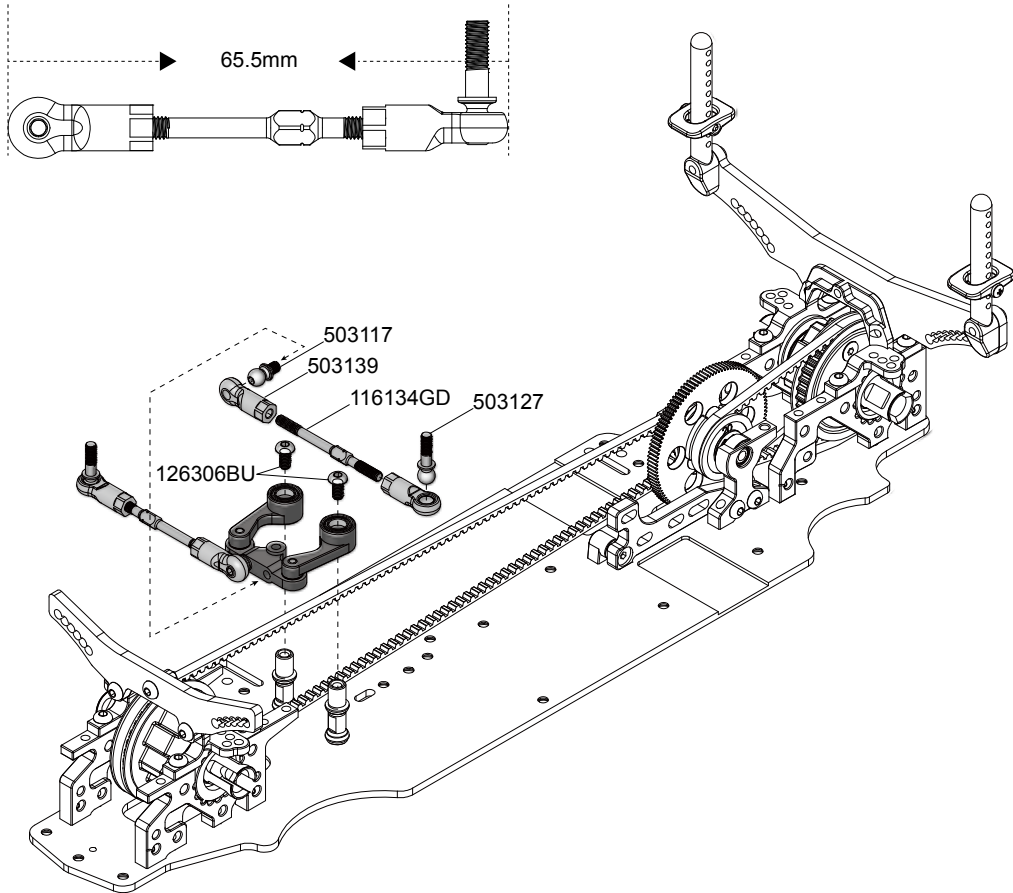
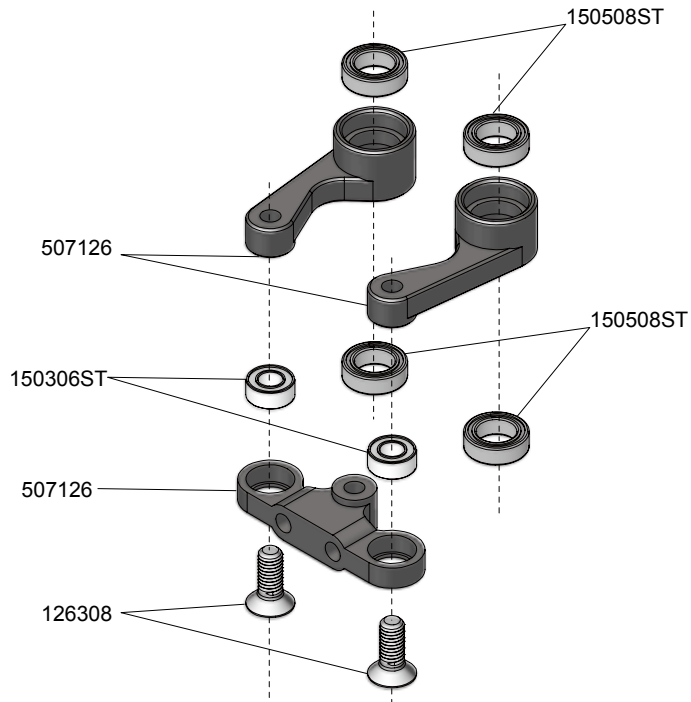
503127
5x10mm Ball Stud



126308
3x8mm Steel F.H.
Screw



126306BU
3x8mm Steel Button
Head Screw





130114
3X6X1mm Washer



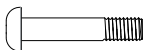
126408S
4x8mm Set Screw



126308S
M3X8mm Set



126204BU
2x4mm Steel Button
Head Screw



126316BU
M3X16mm BH Screw

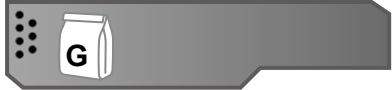
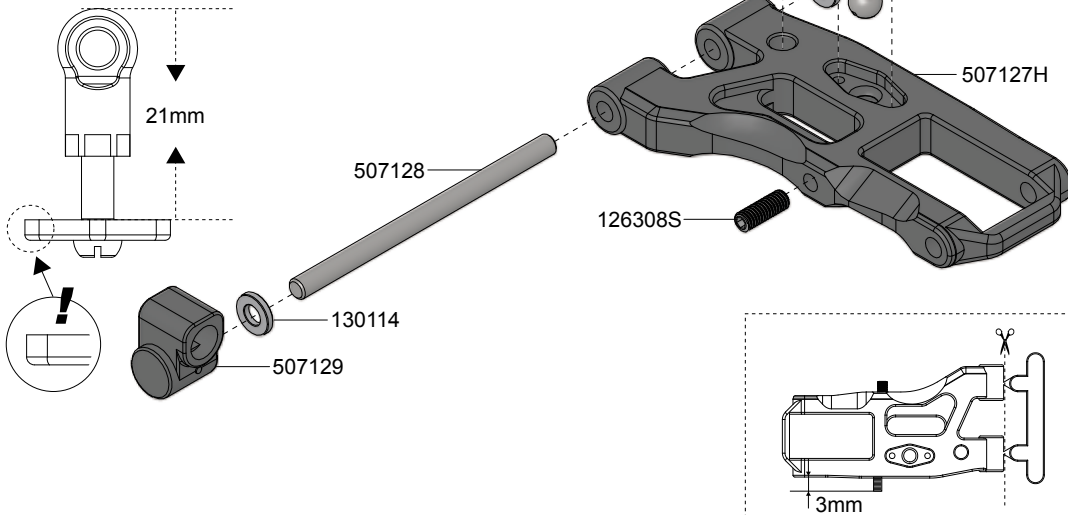
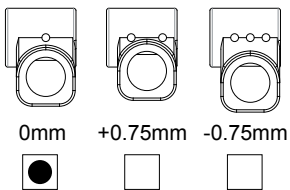


130124
3x7.5x1.5mm Washer

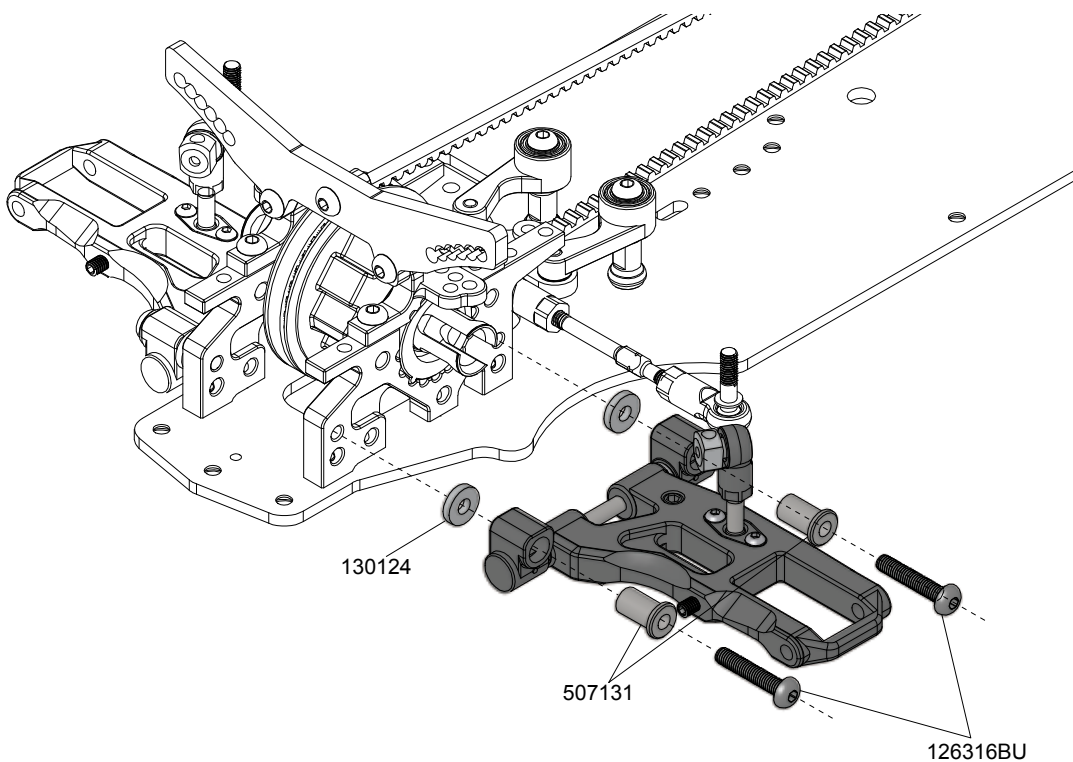


Front

Roll Center Position



Front





126408S
4x8mm Set Screw



130114
3X6X1mm Washer



503117
5x4mm Ball Stud



126310S
M3X10mm Set



130124
3x7.5x1.5mm Washer



126316BU
M3X16mm BH Screw

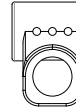
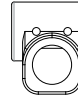
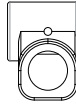


126314BU
3x14mm Button
Head Screw



Rear

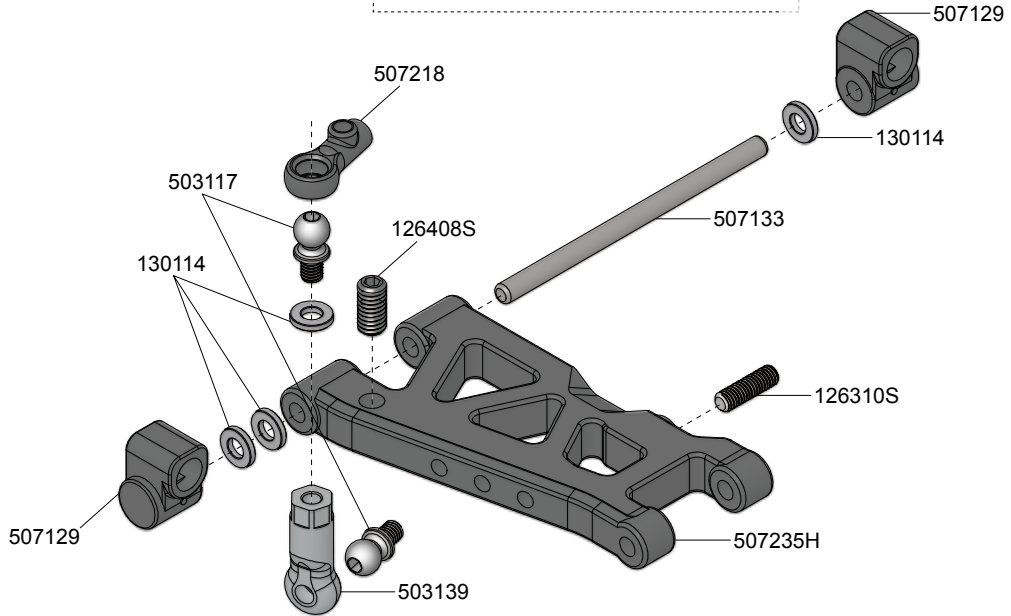
Roll Center Position



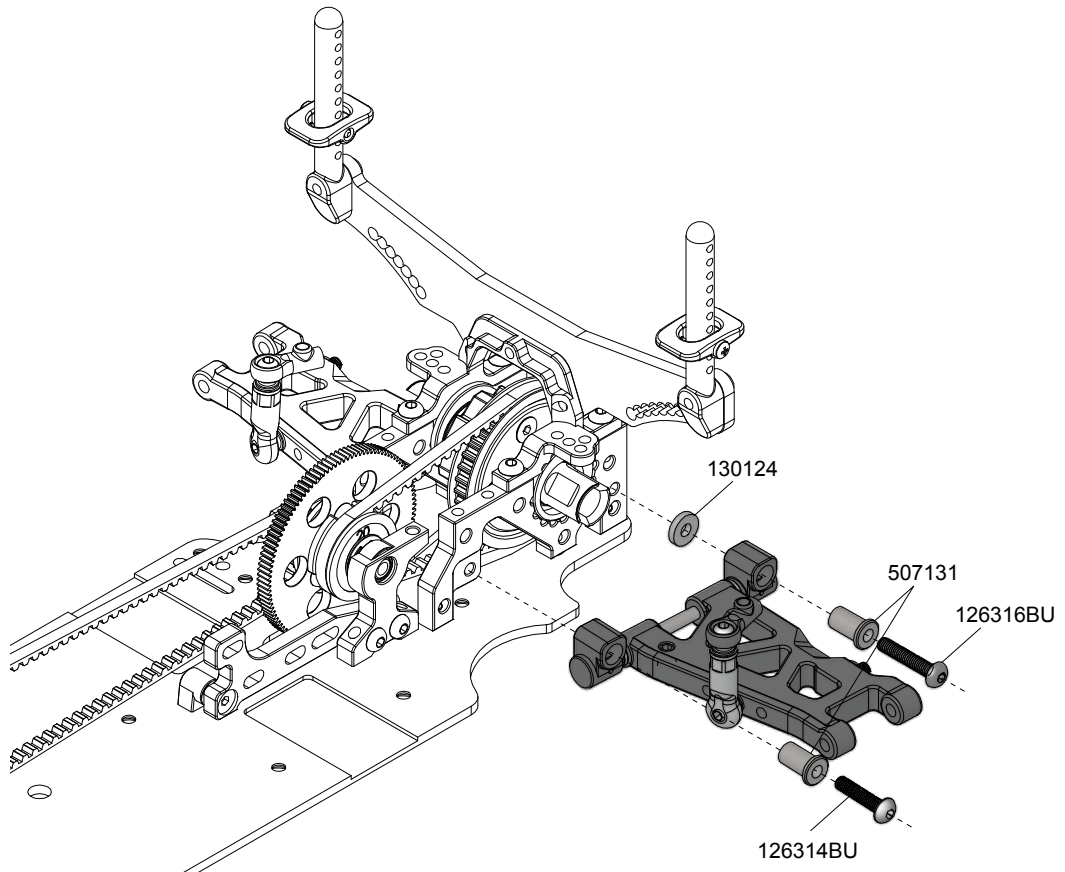
0mm


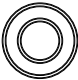


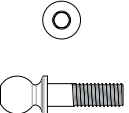
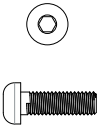


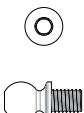
+0.75mm

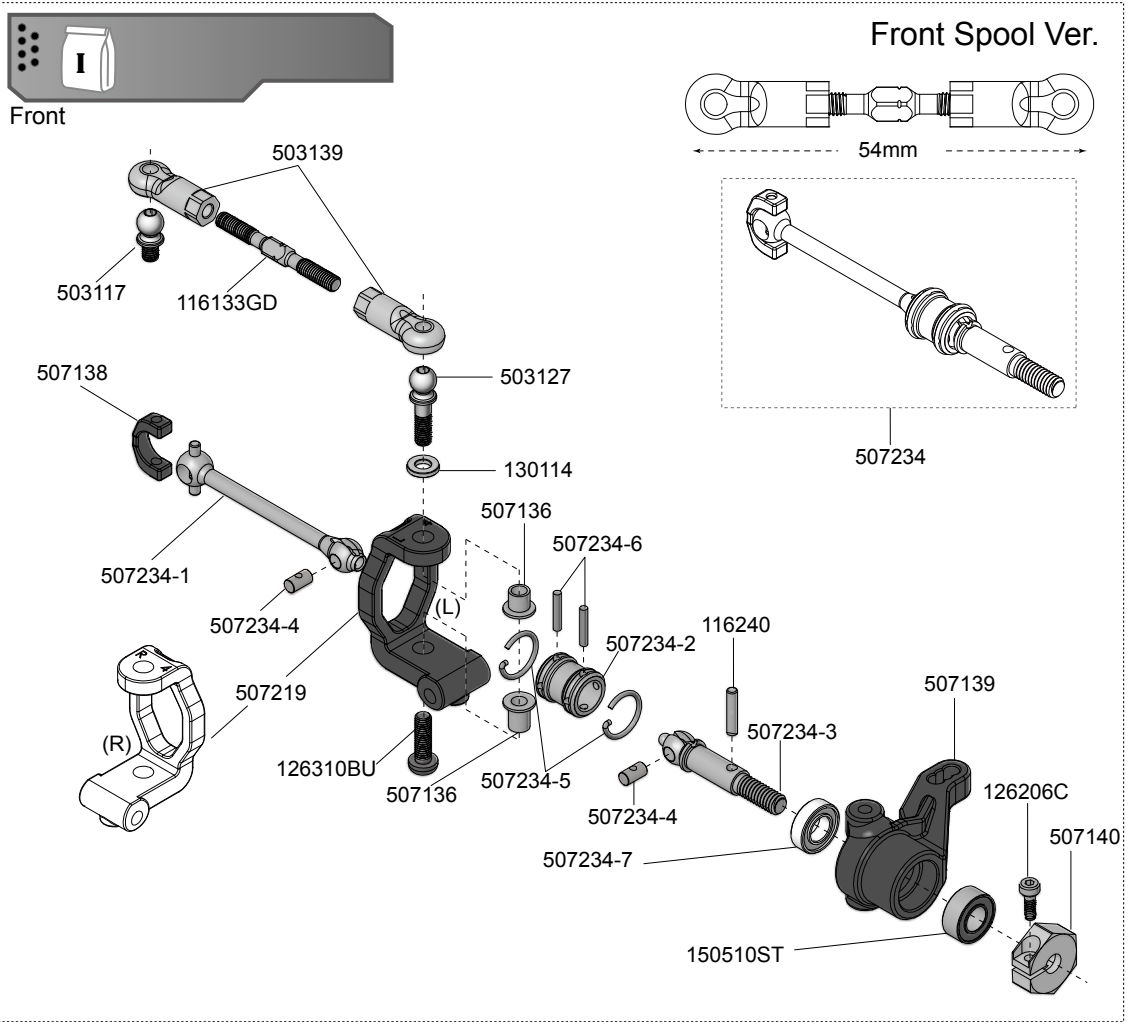
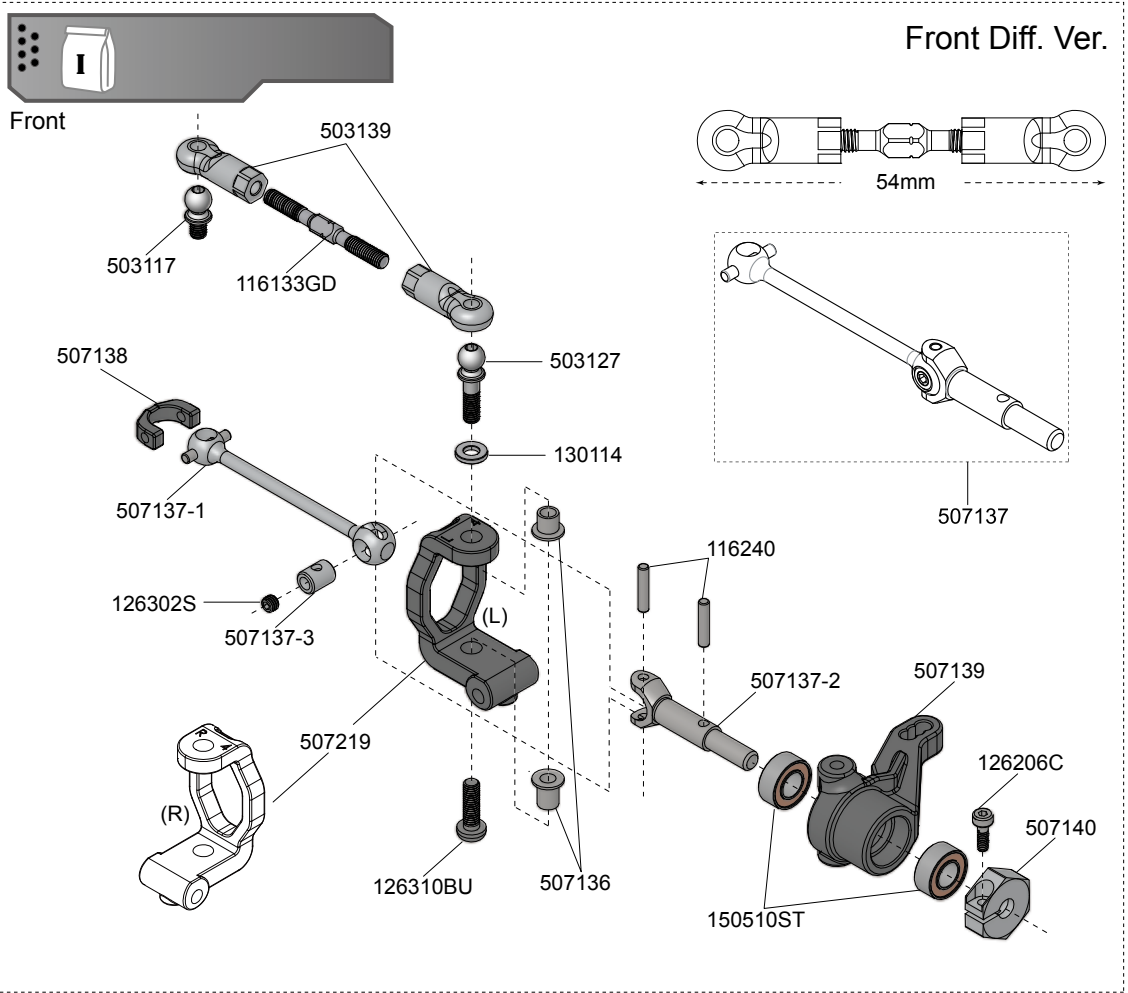
-0.75mm



Rear



- 
130114
3X6X1mm Washer
- 
150510ST
5x10x4mm Steel Bearing
- 
116240
2x9.8mm Pin
- 
126206C
2x6mm Cap Screw
- 
503127
Steering Block
5x10mm Ball Stud
- 
126310BU
3x10mm Button Head Screw
- 
126302S
3x2mm Set Screw
- 
507234-7
5x10x3mm Steel Bearing
- 
503117
5x4mm Ball Stud





150510ST
5x10x4mm Steel
Bearing



116240
2x9.8mm Pin



126206C
2x6mm Cap Screw



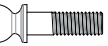
116219
3x6x2mm Alum.
Washer



503127
Steering Block
5x10mm Ball Stud



126302S
3x2mm Set Screw



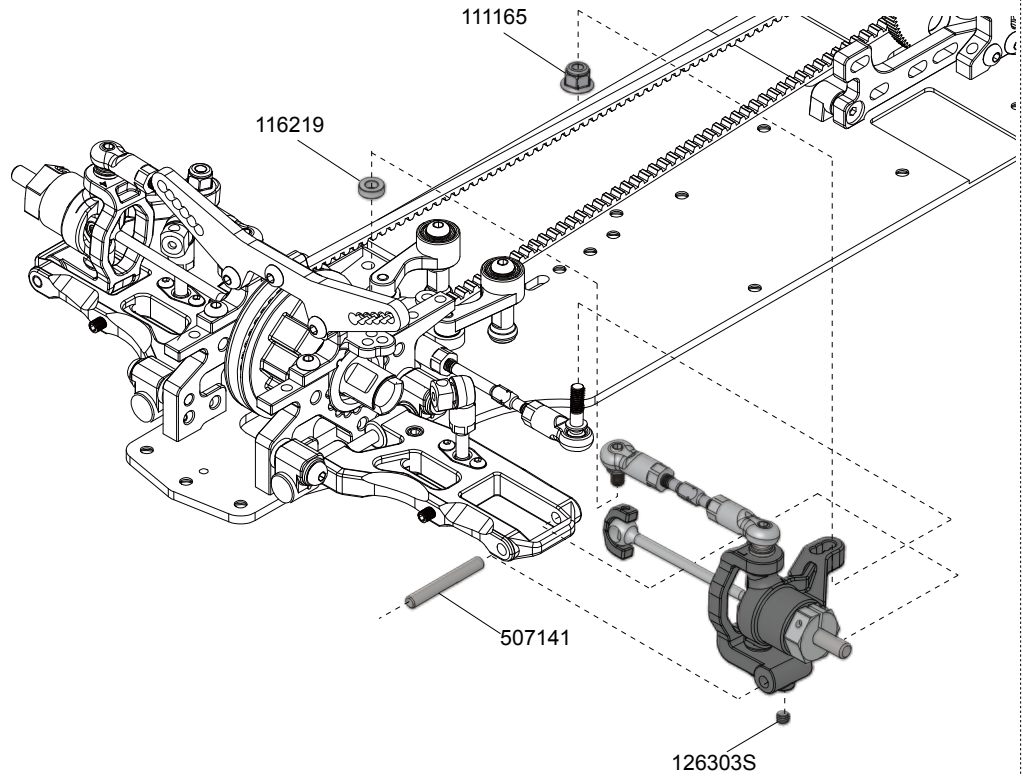
126303S
3x3mm Set Screw



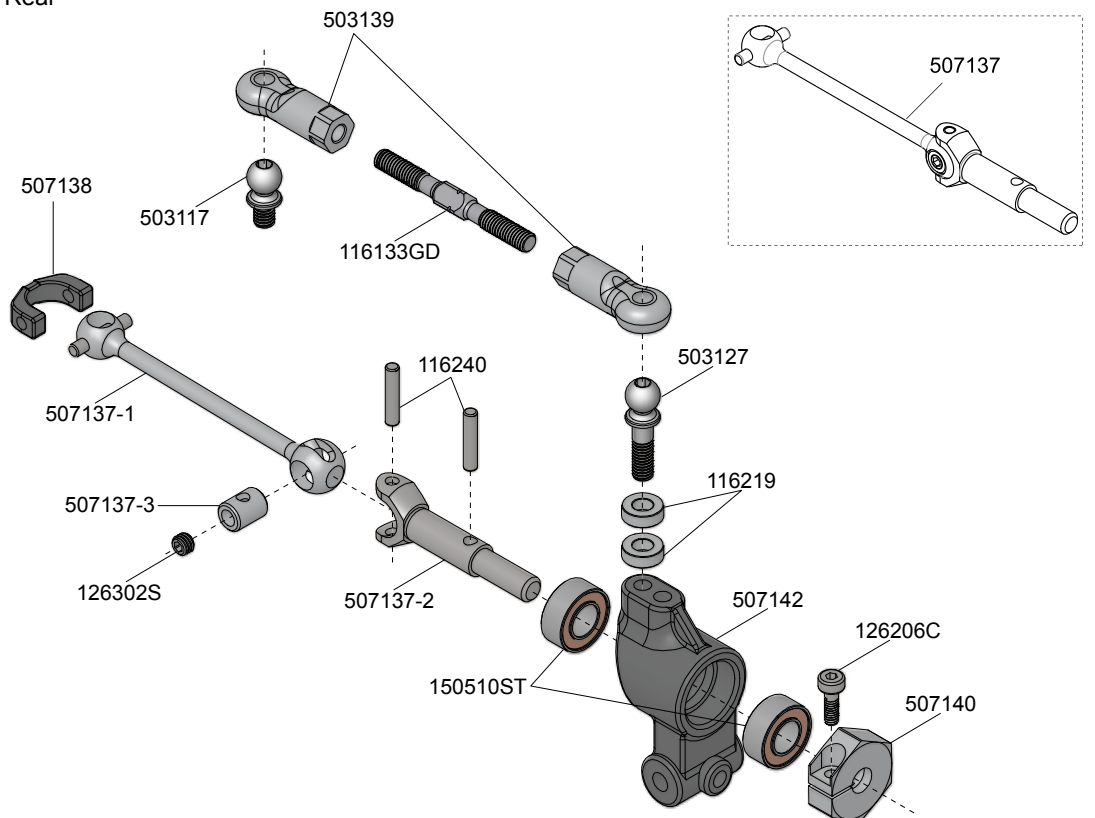
111165
3mm Flanged Nut



Front



Rear





126303S
3x3mm Set Screw



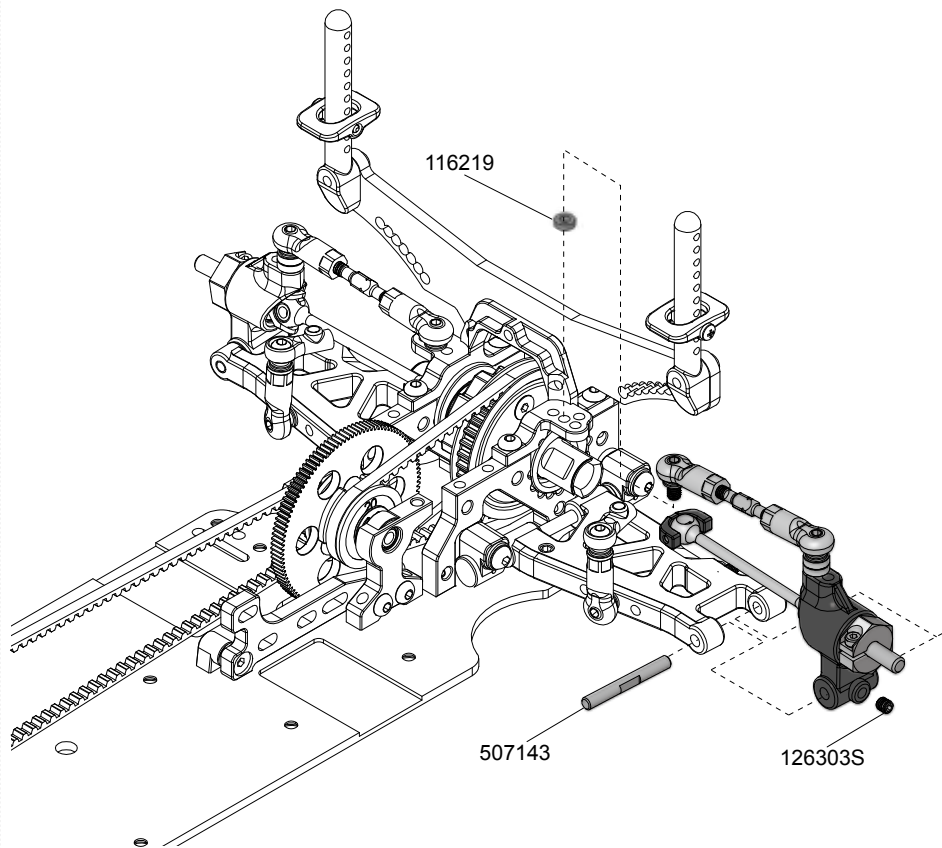
126308BU
3x8mm Steel Button
Head Screw



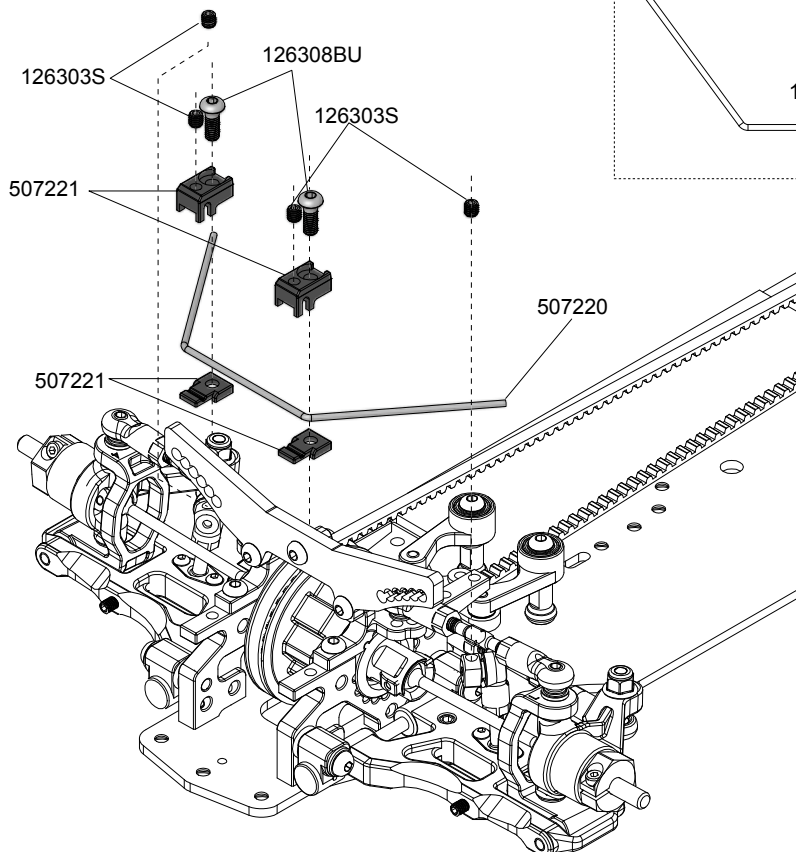
116219
3x6x2mm Alum.
Washer



Rear



Front

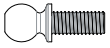




126308SE
3x8mm Steel Flat
Round Servo Mount
Screw



503138
5x7mm Ball Stud



503117
5x4mm Ball Stud



130125
3x6x4mm Alum.
Washer



126306BU
3x6mm Steel Button
Head Screw



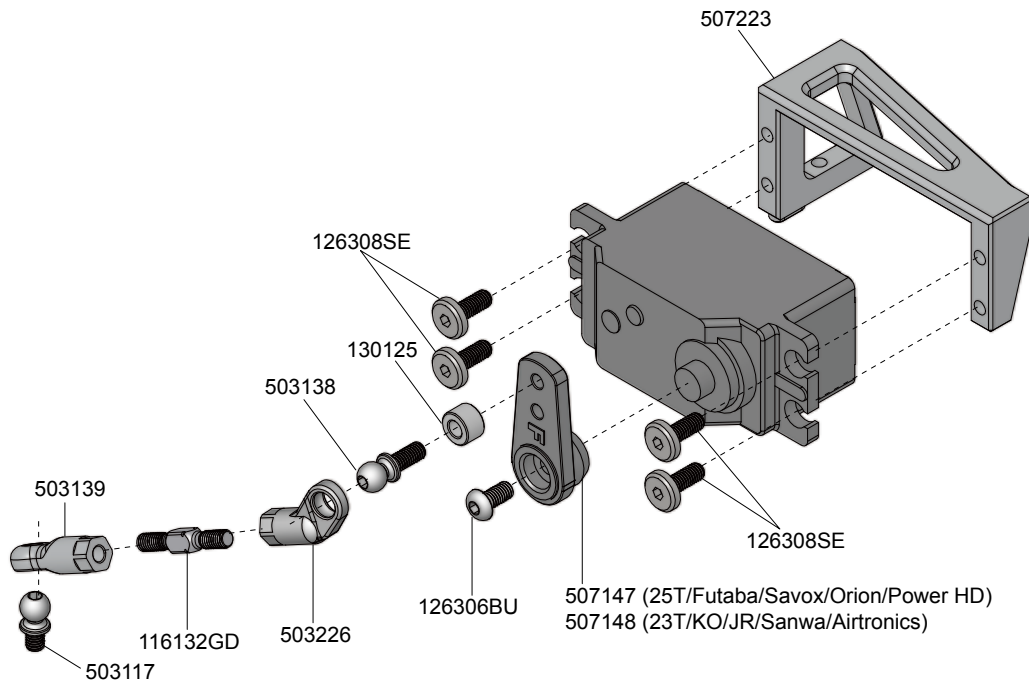
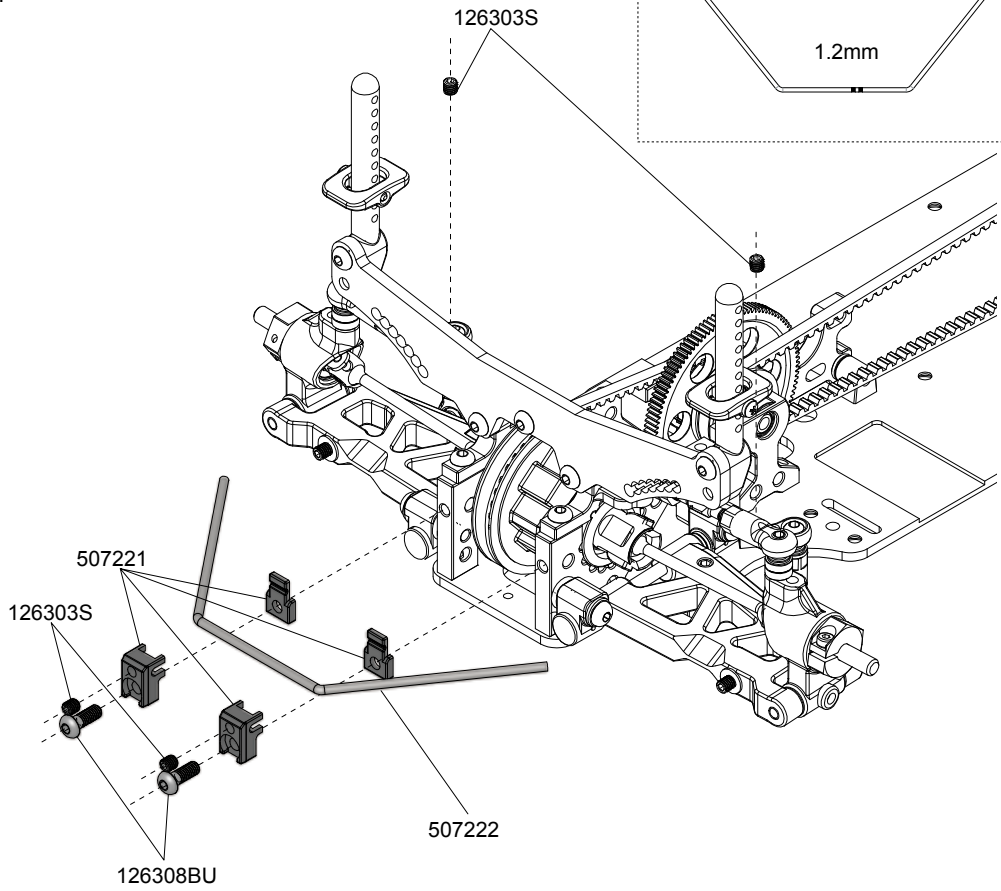
126308BU
3x8mm Steel Button
Head Screw



126303S
3x3mm Set Screw



Rear





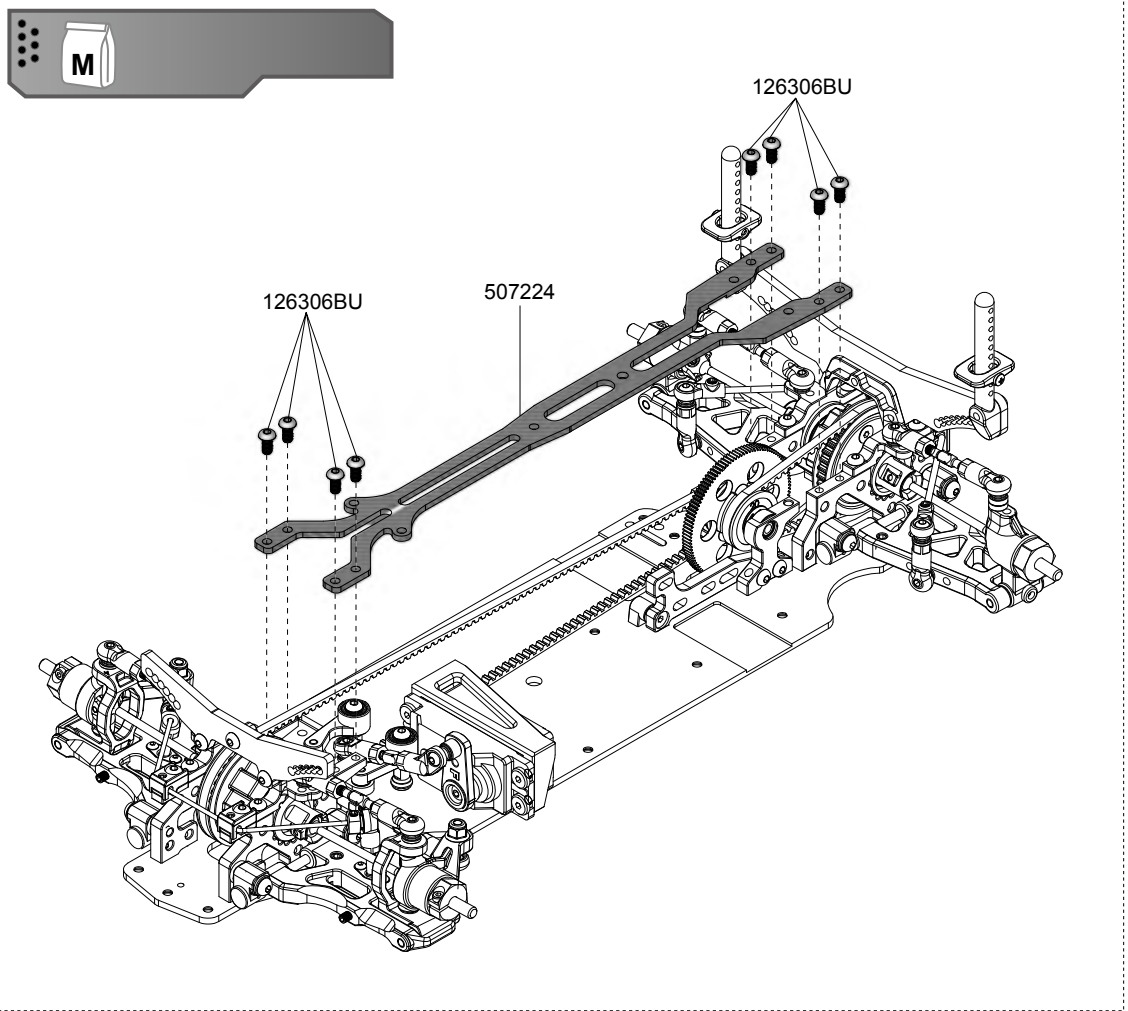
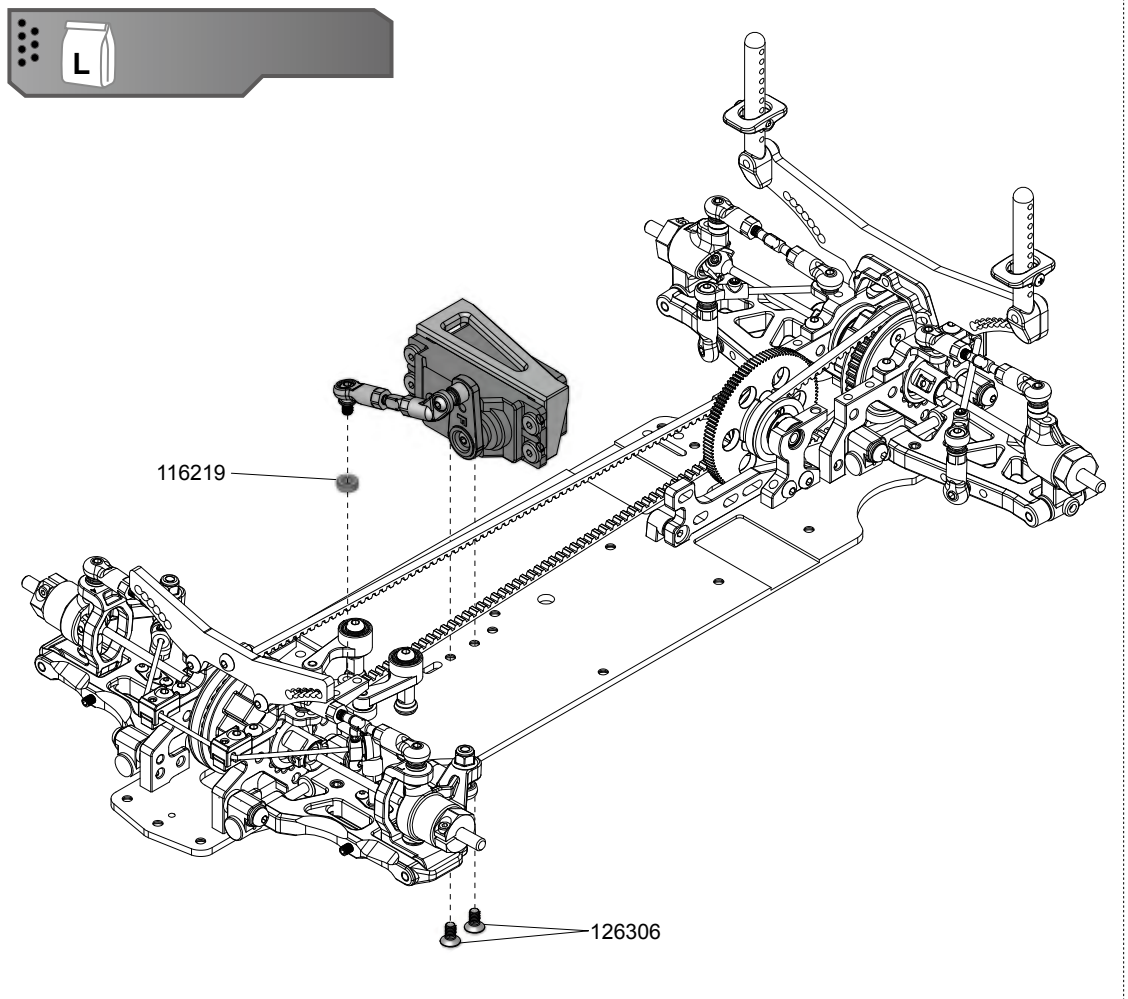
126306BU
3x6mm Steel Button
Head Screw



126306
3x6mm Steel FH
Screw



116219
3x6x2mm Alum.
Washer





116227
E-clip 2.0



130111
2.6X6X0.5mm
Washer



126306BU
3x6mm Steel Button
Head Screw



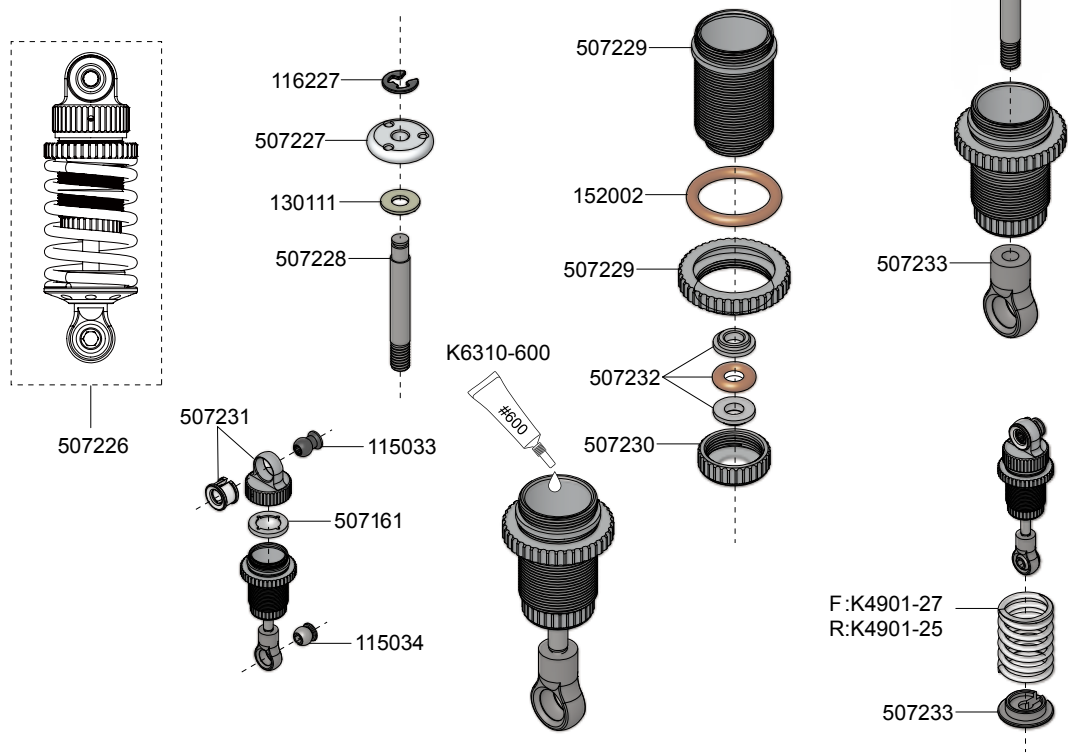
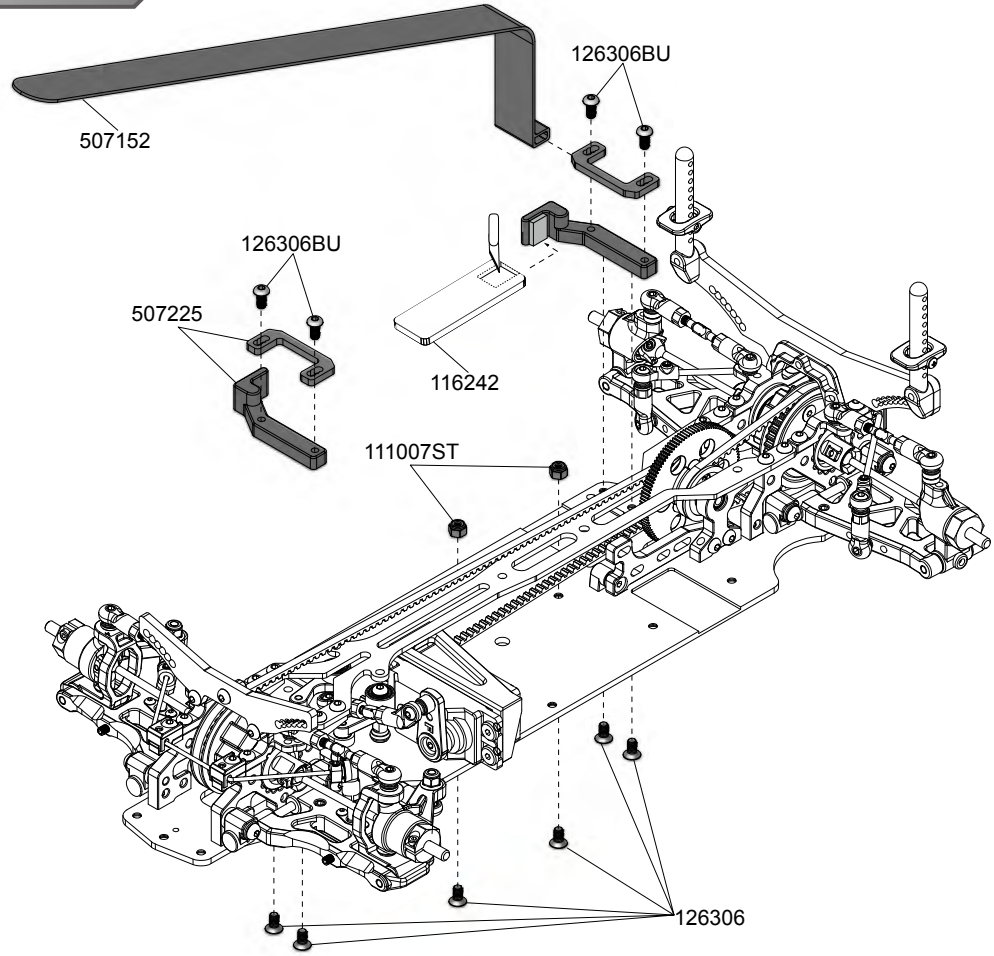
126306
3X6mm Steel F.H.
Screw



111007ST
3mm Steel Locknut



507226

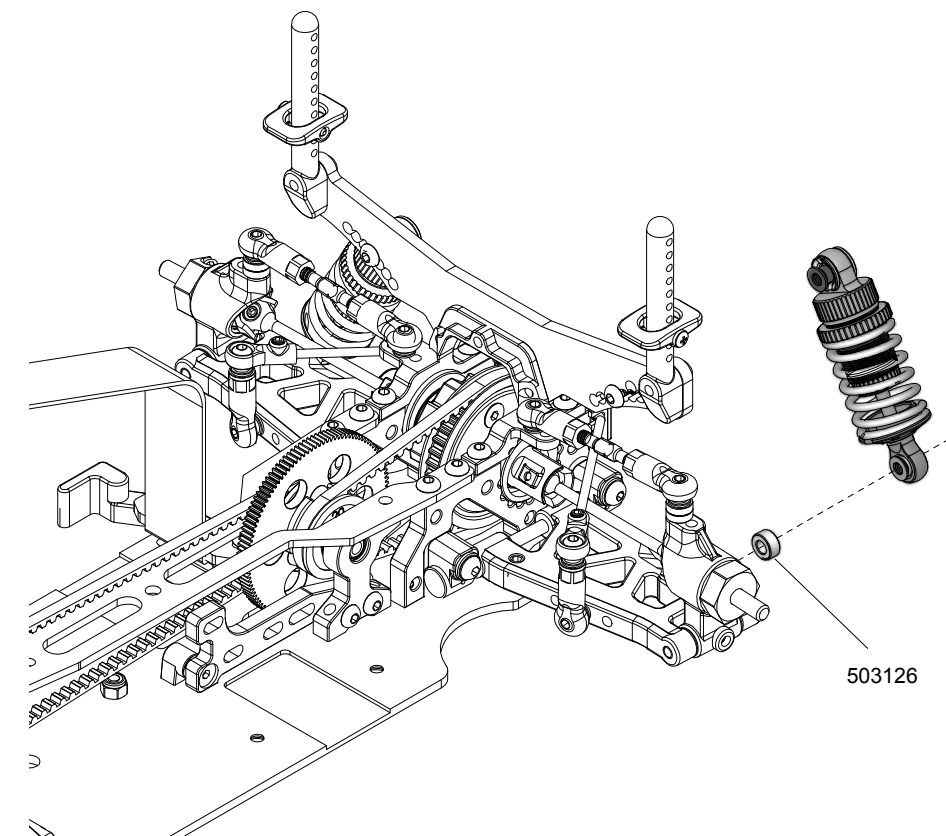
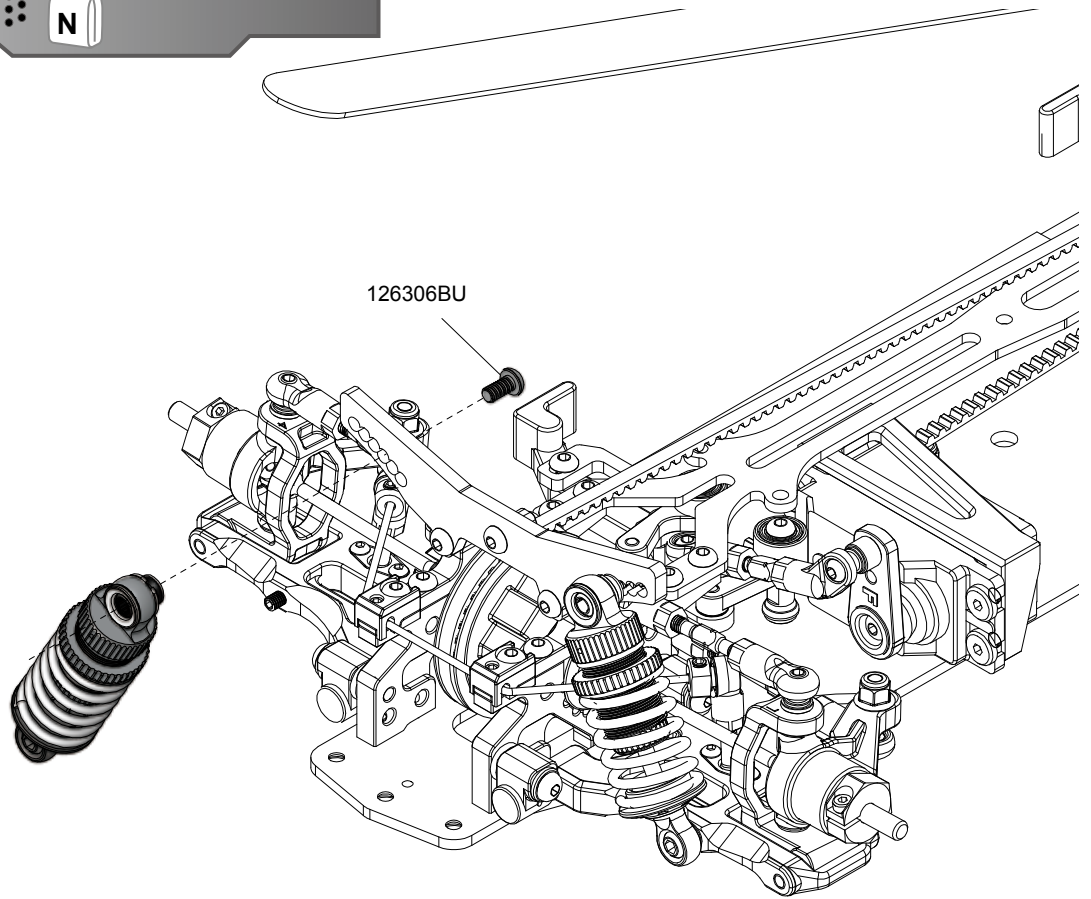




126306BU
3x6mm Button
Head Screw



503126
3.1X6.5X1mm Alum.
Washer





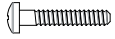
111007ST
3mm Steel Locknut



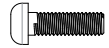
126308
3x8mm Steel F.H.
Screw



126212BU
2X12mm BH Screw



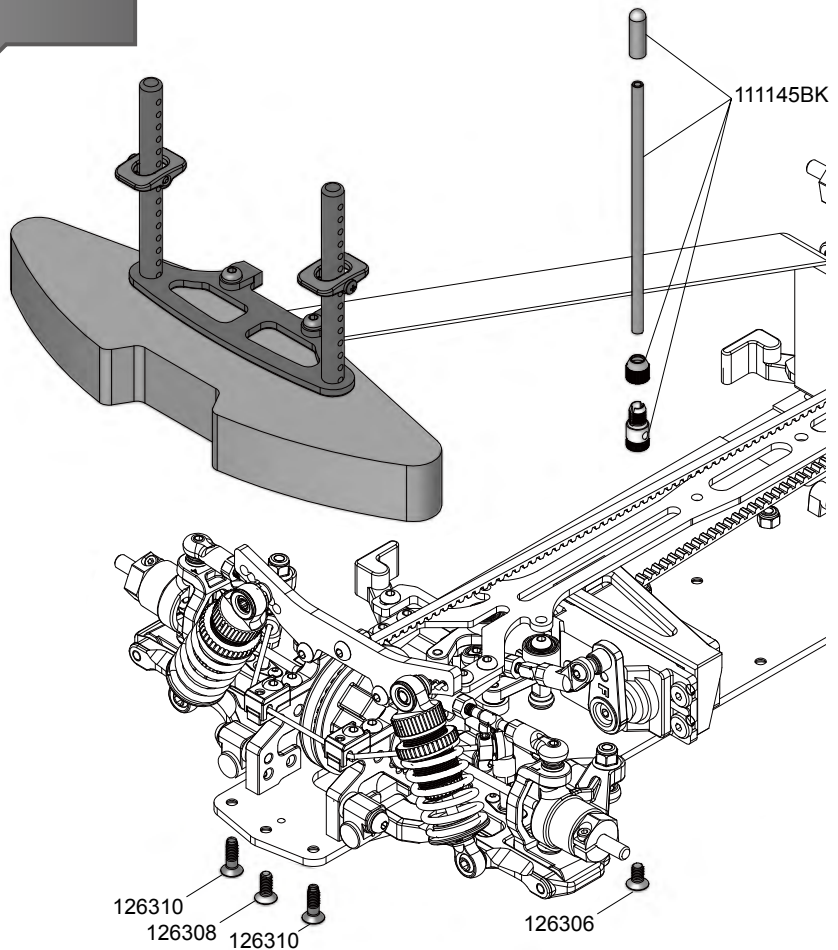
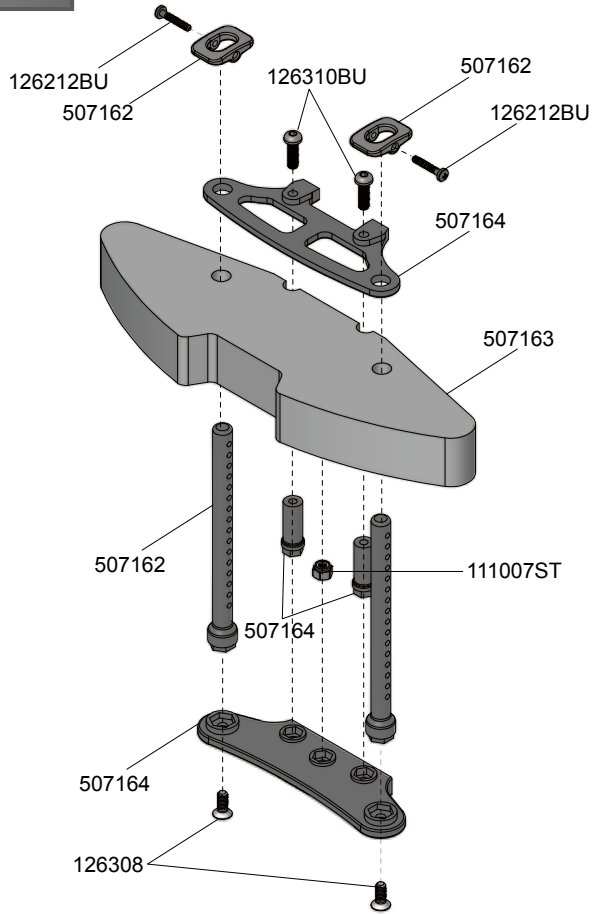
126310BU
3x10mm Button
Head Screw



126306
3x6mm Steel FH
Screw



126310
3x10mm Steel FH
Screw

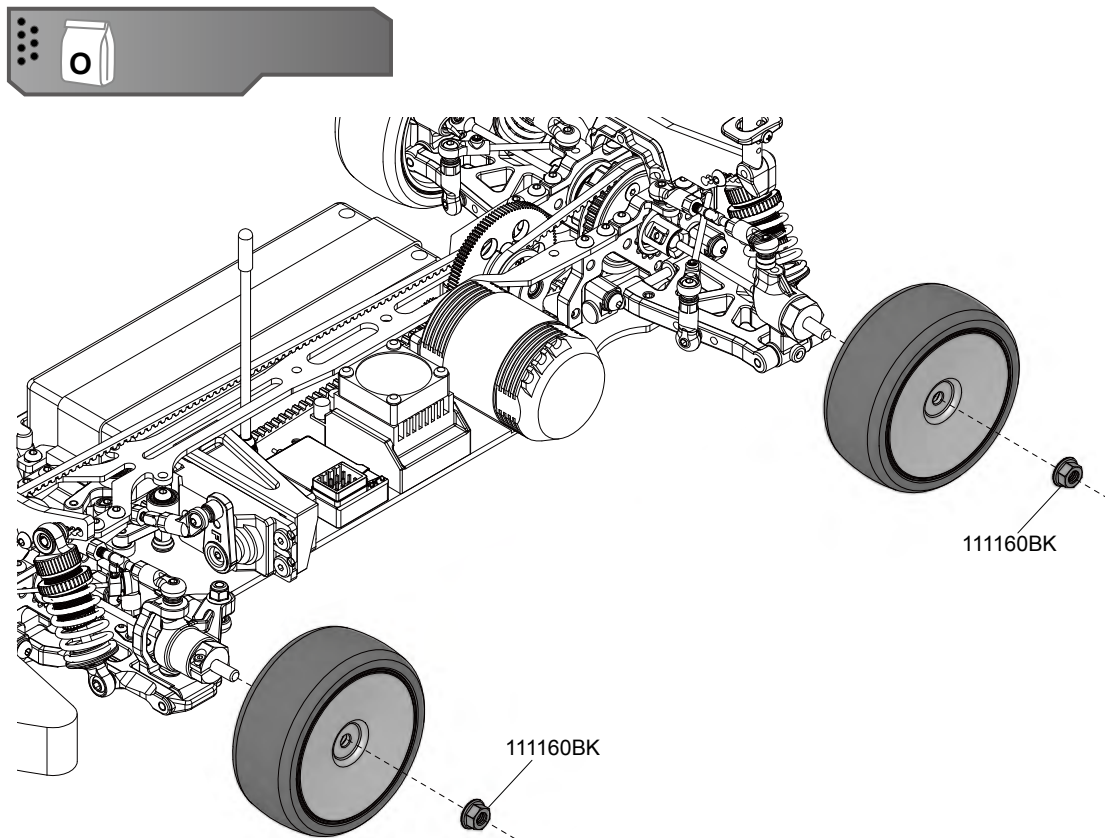
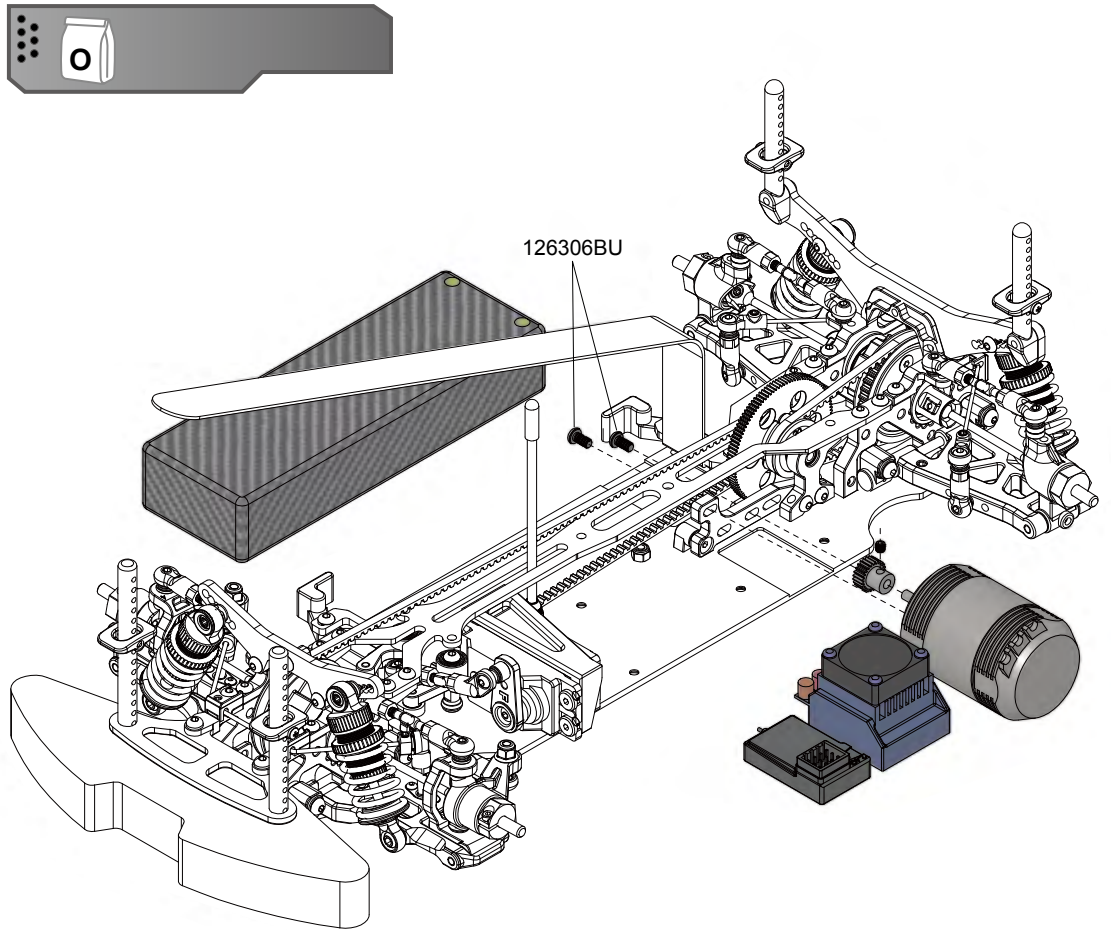




11046BK
4mm Alum. Flanged
Lock Nut (Thin)
(4) Black



126306BU
3x6mm Steel Button
Head Screw





130114
3X6X1mm Washer



126312BU
3X12mm Steel Button
Head Screw

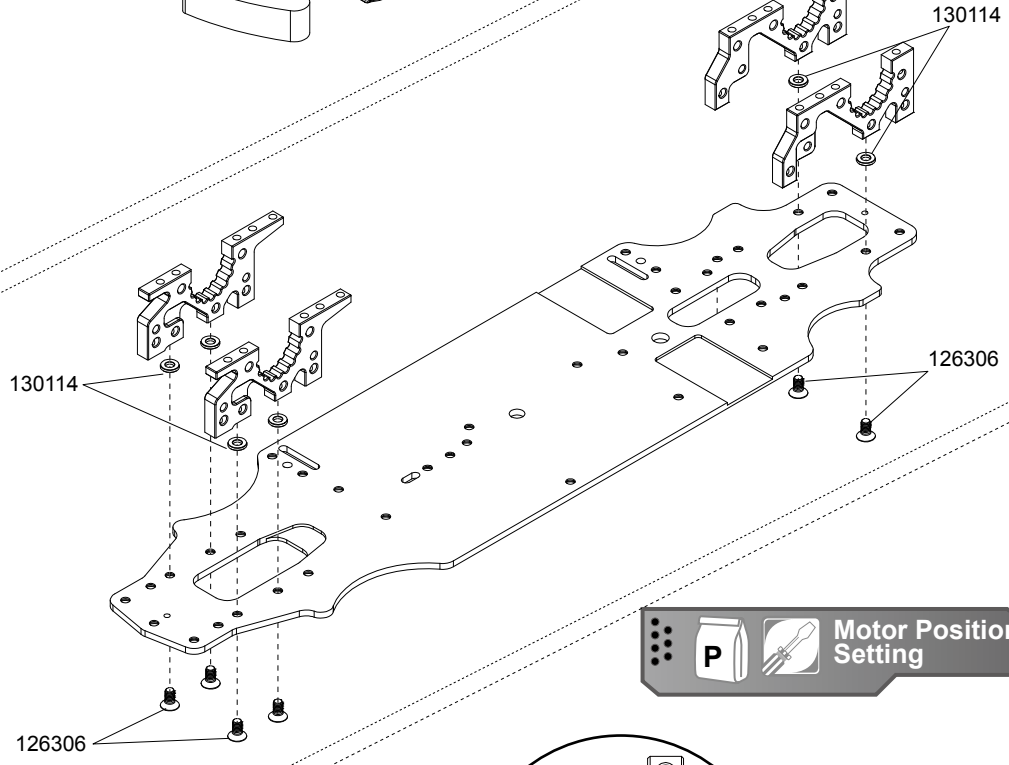
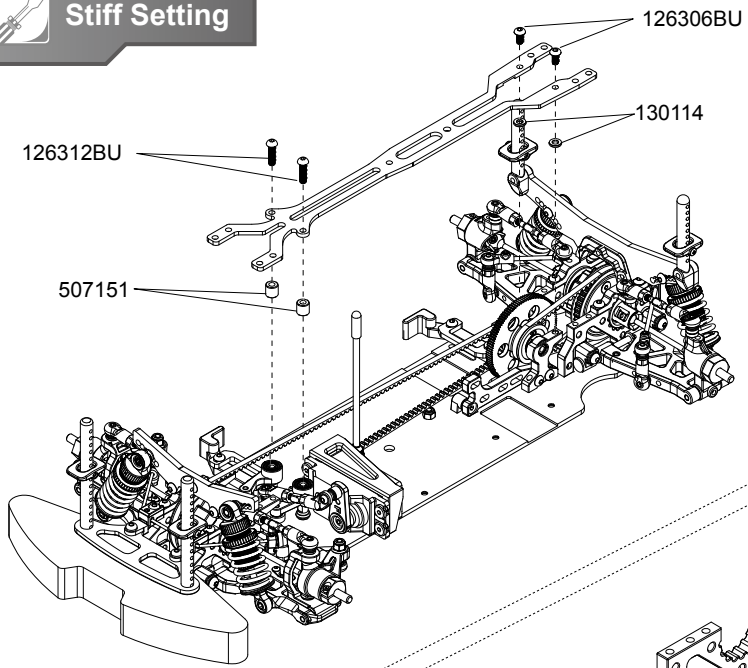


126306
3x6mm Steel FH
Screw

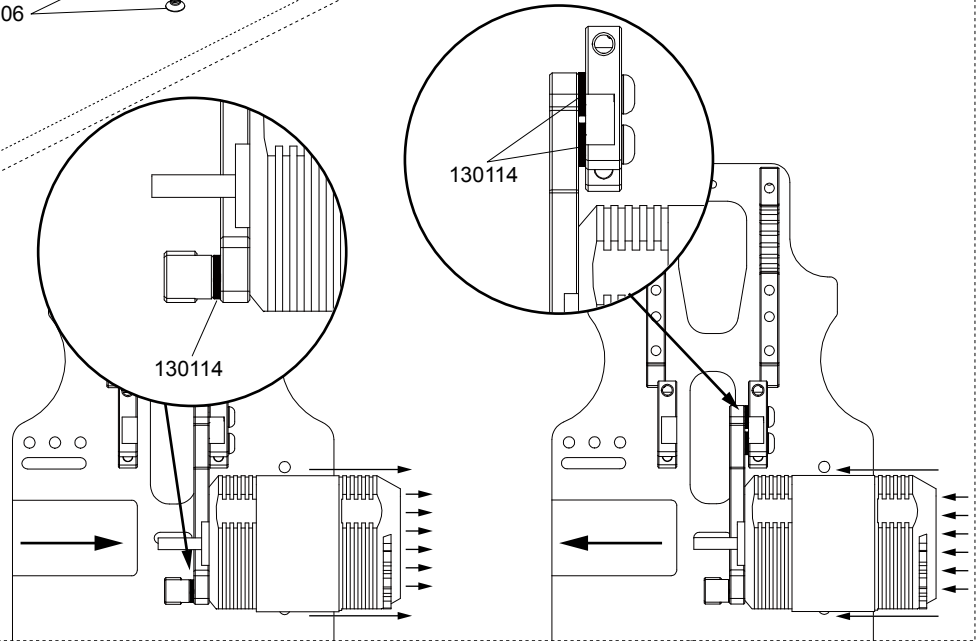


126306BU
3x6mm Steel Button
Head Screw

P **Stiff Setting**



P **Motor Position Setting**

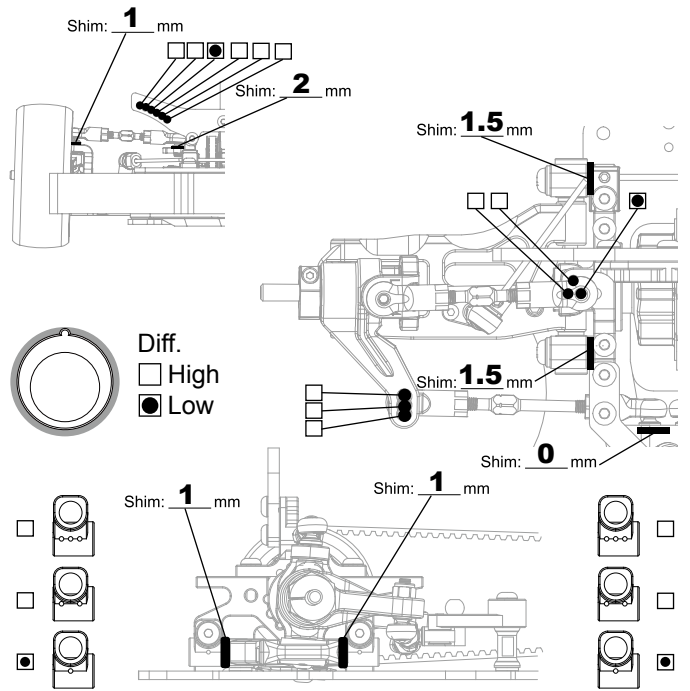


TRACK CONDITIONS

Type: Carpet Asphalt
 Place: Indoor Outdoor
 Surface: Smooth Med. Bumpy
 Size: Open Med. Tight
 Traction: High Med. Low
 Track Temp/Air Temp: _____ / _____
 Note: _____

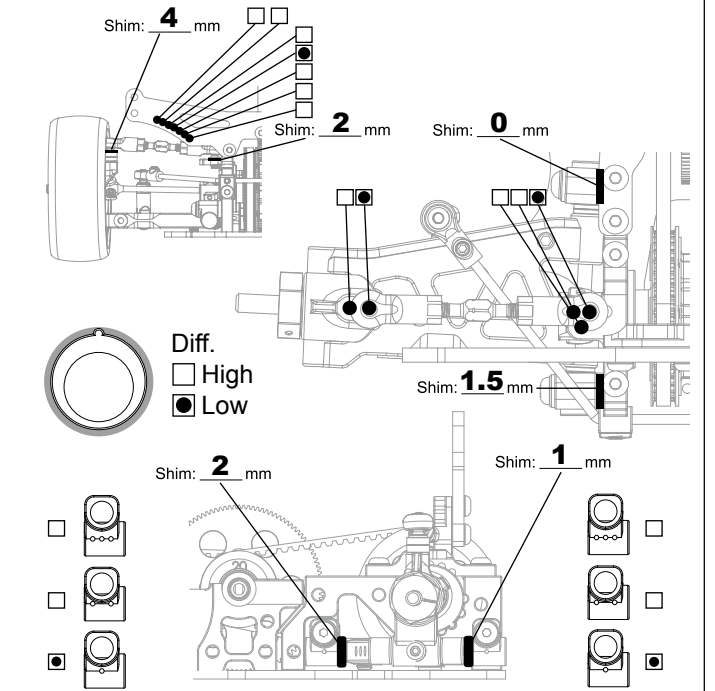
FRONT SUSPENSION

Track Width: **186** mm Gear Diff **500000** wt
 Toe Angle: **+1°** Ball Diff
 Caster: **4°** One Way
 Camber: **-2°** Spool
 Ride Height: **5** mm Anti-Roll Bar: \varnothing **1.4** mm
 Down Stop: **6** mm

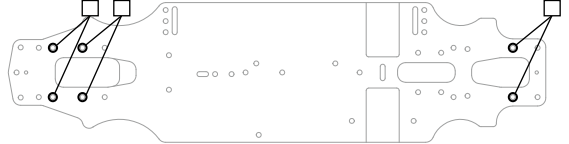
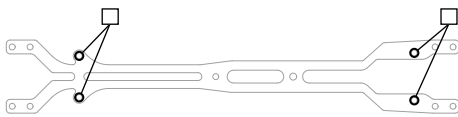


REAR SUSPENSION

Track Width: **189** mm Gear Diff **1000** wt
 Toe Angle: **-3°** Ball Diff
 Camber: **-1.5°** Spool
 Ride Height: **5.5** mm
 Down Stop: **5** mm Anti-Roll Bar: \varnothing **1.2** mm



STIFF SETTING



ELECTRONICS

Servo: _____
 ESC: _____
 Battery: _____

DRIVE RATIO

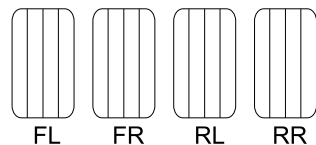
Spur **110** T
 Pinion _____ T X1.9= _____

MOTOR

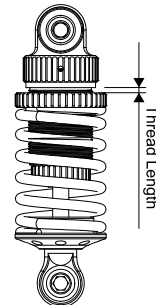
Brand: _____
 Turns: _____
 Timing: _____

TIRES

Insert: _____
 Wheel: _____
 Shore/deg: _____
 Compound: _____
 Tire Temp: _____
 Tire additive: _____
 Treated Area



SHOCKS

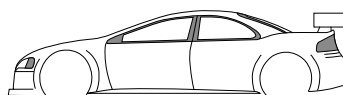


Hole Size: F **1.1 mm** R **1.1 mm**
 Holes In Piston: F **3** R **3**
 Oil wt: F **600** R **600**
 Springs: F k-factory 27 R k-factory 25
 Rebound: F _____ R _____
 Bladder Note: _____
 Thread Length: F _____ R _____

ESC

Punch: _____
 Initial Brake: _____
 Drag Brake: _____
 ESC Timing Turbo Timing

BODY



Body: _____
 Wing Height: _____
 Wing Position: _____

PARTS	
Item No.	Item Description
507102	Alum. Rear Left Bulkhead
507103	Alum. Rear Right Bulkhead
507104	Alum. Front Bulkhead
507108	Alum. Steering Post (2)
507109	Alum. Spur Gear Holder
507110	20T Pulley (2)
507114	Diff. Case Gasket (4)
507115	Diff. Case O-ring (4)
507116	Belt Tension Adjuster (4)
507119	Long Belt
507126	Alum. Dual Steering Arm Set
507127H	Front Suspension Arm-Hard Material (2)
507128	Front Suspension Pin (2)
507129	Suspension Arm Holder (2)
507130	Front Anti-roll Bar Rod (2)
507131	Alum. Bushing For Susp. Arm Holder (2)
507133	Rear Suspension Pin (2)
507136	Bushing For Caster Block (2+2)
507137	Universal Driveshaft (2)
507137-1	Steel Drive Shaft Only (2)
507137-2	Steel Universal Joint Outdriver (2)
507137-3	Pivot for 507137 (2)
507138	Universal Driveshaft Plastic Pin Cover (8)
507139	Steering Block (2)
507140	Alum. Wheel Adapter (4)
507141	Caster Block Pin (2)
507142	Rear Hub Carrier (2)
507143	Rear Hub Carrier Pin (2)
507147	Servo Arm (Futaba) (2)
507148	Servo Arm (Ko,Sanwa) (2)
507151	Upper Plate Post (2)
507152	Quick Release Battery Strap
507161	Shock Membrane (4)
507162	Front Body Support (2)
507163	Sponge Bumper
507164	Bumper Mount Set
507165	Short Belt
507201	Chassis 2.3mm
507202	Alum. Motor Bulkhead
507203	Alum. Motor Bulkhead Support
507204	Alum. Main Shaft Right Bulkhead
507205	Alum. Main Shaft Left Bulkhead
507206	Light Weight Bevel Gear Set (4)
507207	Light Weight Diff. Case
507208	Light Weight Alum. Diff. Joint (2)
507209	Light Weight Gear Diff. Set
507210	Front Spool 38T Pulley
507211	Front Spool Pulley Holder
507212	Front Spool ST Steel Joints (2)
507212A	Front Spool Alum. Joints (2)
507213	Front Spool Set
507214	Low CG Front Shock Tower
507215	Alum. Bulkhead Upper Mount
507216	Low CG Rear Shock Tower
507217	Rear Body Support (2)
507218	Anti-Roll Bar Ball Cup (4)
507219	Caster Block (4 degree) (2)
507220	Front Anti-Roll Bar 1.4mm (1)
507221	Anti-Roll Bar Holder (4)
507222	Rear Anti-Roll Bar 1.2mm (1)
507223	Alum. One Piece Servo Mount
507224	Upper Plate 2.0mm
507225	Battery Holder Set
507226	Low CG Shock Absorber Set (2)
507227	Shock Piston 3 Holes (1.1mm)(4)
507228	Low CG Shock Shaft (2)
507229	Low CG Shock Body Set (2)
507230	Low CG Shock Lower Cap (2)
507231	Low CG Shock Upper Cap (2)
507232	Low CG Shock Small O ring Set (4)
507233	Low CG Shock Ball End & Nylon Set (4)
507234	Universal Driveshaft Nunchaku Type (2)
507234-1	Drive Shaft Only for Nunchaku (2)

Item No.	Item Description
507234-2	Joint for Nunchaku (2)
507234-3	Wheel Axel for Nunchaku (2)
507234-4	Joint Hing Pin for Nunchaku (4)
507234-5	G-Clip for Nunchaku (4)
507234-6	1.5x8.5mm Pin for Nunchaku (4)
507234-7	5x10x3mm Bearing for Nunchaku (2)
507235H	Rear Suspension Arm-Hard Material (2)
503117	5x4mm Ball Stud (6)
503121	5mm Ball Cup - Short (6)
503123	Alum. Anti-Roll Bar Ball (4)
503126	Alum. 3.1x6.5x3mm Washer (6)
503127	Steering Block 5x10mm Ball Stud (4)
503138	5x7mm Ball Stud (6)
503139	Caster Block Ball Cup (4)
503226	E4 Special Servo Disc Ball Cup (2)
111007ST	3mm Steel Locknut (10)
111145BK	Small Alum. Antenna Rod Mount (w/antenna rod) Black
111165	3mm Flanged Nut(10)
115033	5.8mm Hex Socket Steel Ball-Long Neck (6)
115034	5.8mm Hex Socket Steel Ball-Short Neck (6)
116132GD	3x20mm Adjustable Rod (2)-GD
116133GD	3x30mm Adjustable Rod (2)-GD
116134GD	3x40mm Adjustable Rod (2)-GD
116203	E-clip 5 (10)
116216	3x6x1mm Alum. Washer (6)
116219	3x6x2mm Alum. Washer (6)
116226	3.1x4.8x0.5mm Shim (10)
116227	E-clip 2.0 (10)
116228	2x9.0mm Pin (10)
116238	2x12.8mm Pin (10)
116240	2x9.8mm Pin (10)
116242	EVA Tape 3x14cm
126204BU	2x4mm Steel Button Head Screw (6)
126206C	2x6mm Cap Screw (6)
126302S	3x2mm Set Screw (6)
126303S	3x3mm Set Screw (6)
126304BU	M3X4mm BH Screw(10)
126305BU	3x5mm Steel Button Head Screw (6)
126306	3x6mm Steel FH Screw (6)
126306BU	3x6mm Steel Button Head Screw (6)
126308	3x8mm Steel F.H. Screw (6)
126308S	M3X8mm Set(10)
126308SE	3x8mm Steel Flat Round Servo Mount Screw (6)
126308BU	3x8mm Steel Button Head Screw (6)
126310	3x10mm Steel F.H. Screw (6)
126310BU	3x10mm Button Head Screw (6)
126310S	3x10mm Set Screw (6)
126312C	3x12mm Cap Screw (6)
126314BU	3x14mm Button Head Screw (6)
126316BU	M3X16mm BH Screw(10)
126408S	4x8mm Set Screw (6)
130103	4.2x10x0.2mm Shim (6)
130111	2.6X6X0.5mm Washer(10)
130114	3X6X1mm Washer(10)
130122	3x6x0.5mm Washer (10)
130124	3x7.5x1.5mm Washer (10)
130125	3x6x4mm Alum. Washer (6)
130129	5.2x12x0.2 Washer (10)
150306ST	3x6x2.5mm Steel Bearing(4)
150508ST	5x8x2.5mm Steel Bearing(4)
150510ST	5x10x4mm Steel Bearing (4)
151015ST	10x15x4mm Steel Bearing (4)
152002	O-RING 11.2 x 1.7 (10)
152005	O-Ring 4.7X1.4mm(10)
K4901-25	LX Touring Shock Spring 13x23.5mm #25
K4901-27	LX Touring Shock Spring 13x23.5mm #27
K6601-110	Special Precision 64P Spur Gear 110T
K6330-1000	K Factory Diff Oil 40ml #1000
K6330-500000	K Factory Diff Oil 40ml #500000



Team Magic Model Industrial co., Ltd.
No.185-2, 38th Road, Taichung Industrial Park, Taichung, Taiwan 407
E-mail: service@teammagic.com.tw
Web: www.teammagic.com.tw
Tel: 886-4-23552606 Fax: 886-4-23552946

MADE IN TAIWAN



61437